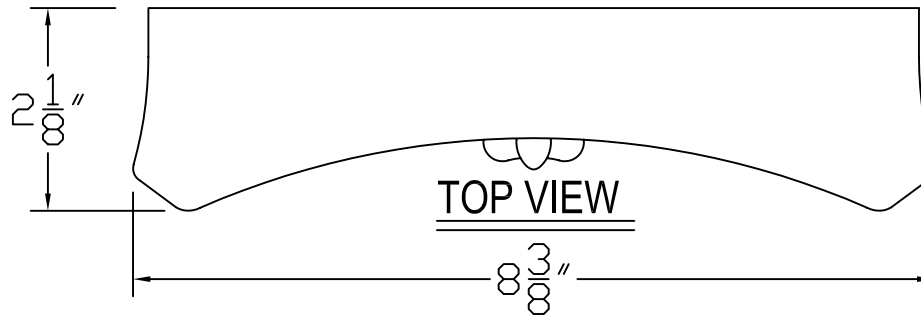


5 ⁹/₁₆"

SIDE VIEW



5 ¹/₄"



TOP VIEW

8 ³/₈"

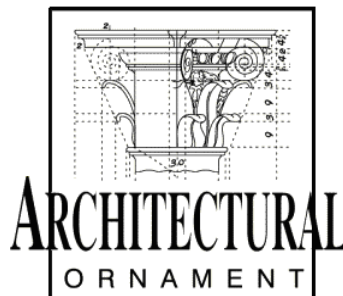
Name: CAPITAL FOR PL596

Dimensions: W 5 1/4" x L 5 9/16" x P 2 1/8"

Material: Polyurethane

Part Number:
PL595

Date: 08/2/04
Scale: Not to scale
Drawn By: MS



PROPERTY OF
ARCHITECTURAL ORNAMENT INC.
Design Copyright © Architectural Ornament Inc. 2005. All rights reserved

55 BRADWICK DRIVE
CONCORD, ONTARIO
L4K 1K5

PHONE: (905) 738-9459
800-567-3554

FAX : (905) 738-6734
800-567-4489

www.architectural-ornament.com